

## Nano-Ampere HV Current Monitor MODEL 0812A

The model 0812 is a direct measurement module of HV current through High Voltage line up to 200nA. The resolution is 0.001nA.

This module work with 4 dry batteries ( size of D) and 2 dry batteries ( size of AA)

### Specifications

Selectable current range is 0.001nA~1.000nA or 0.1nA ~199.9nA.

SHV connector

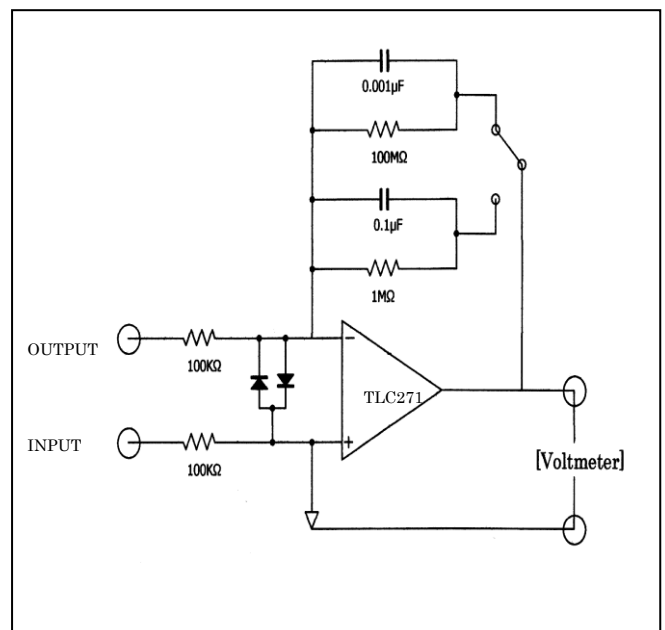
Input voltage range is  $\pm 3KV$

Precision of current figure is  $\pm 10\%$

Digital panel meter, LCD, 3-1/2 digit, OEM33(Anders)

100K $\Omega$  of input, output is protect operational amplifier(TLC271).

Resister and Condenser of feedback is Current to Voltage conversion.



Packaging W100 H100 D200 (mm) in plastic housing  
Power requirement +6V 6.4mA (in case of switch on)  
<0.1  $\mu$  A (in case of switch off)

Weight 800gs.

FUJI DIAMOND INTERNATIONAL CO., LTD  
103 ushijima Fussa-shi 197-0024 Tokyo  
TEL/FAX 042-552-7311 fujidiamond@ozzio.jp